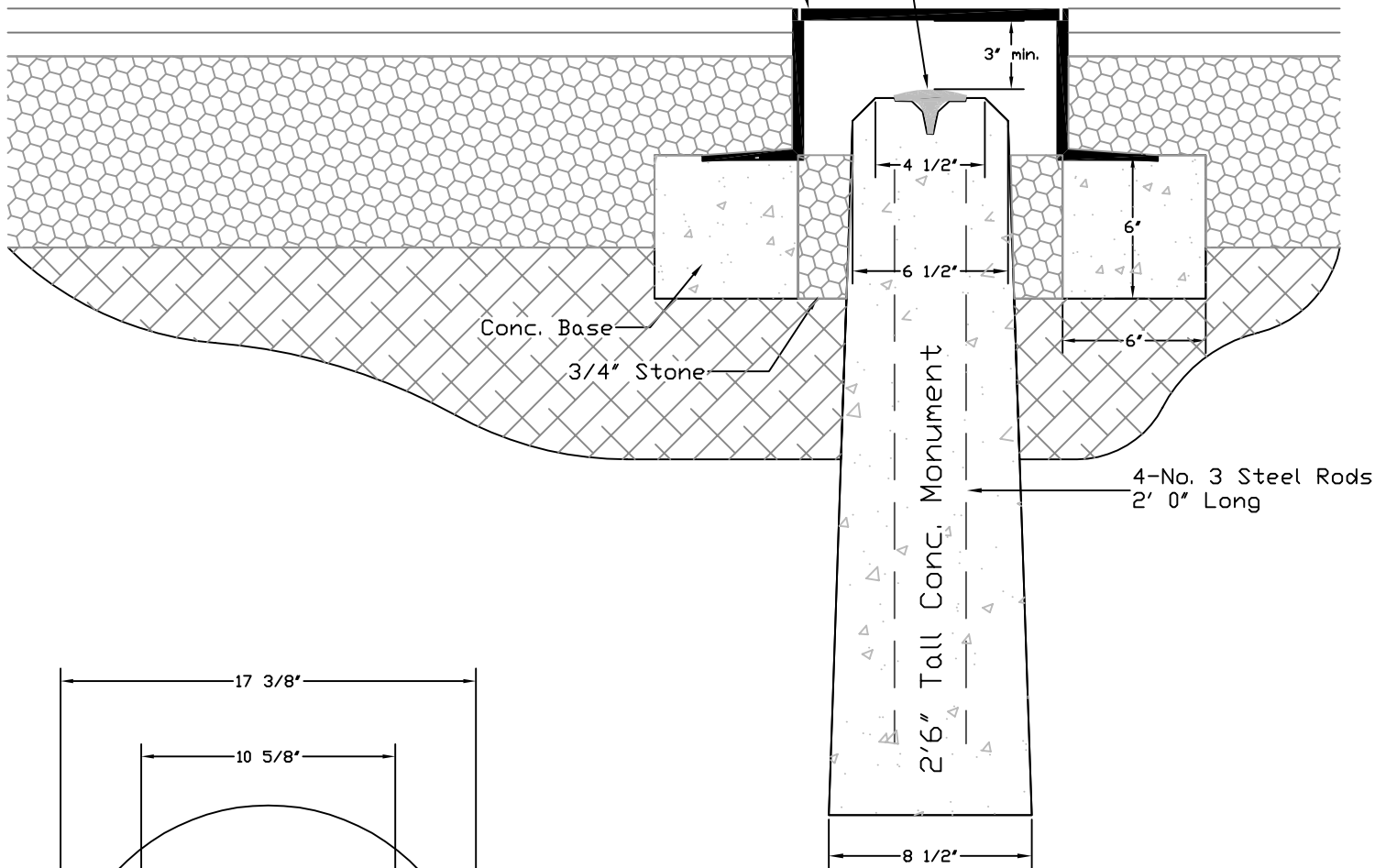


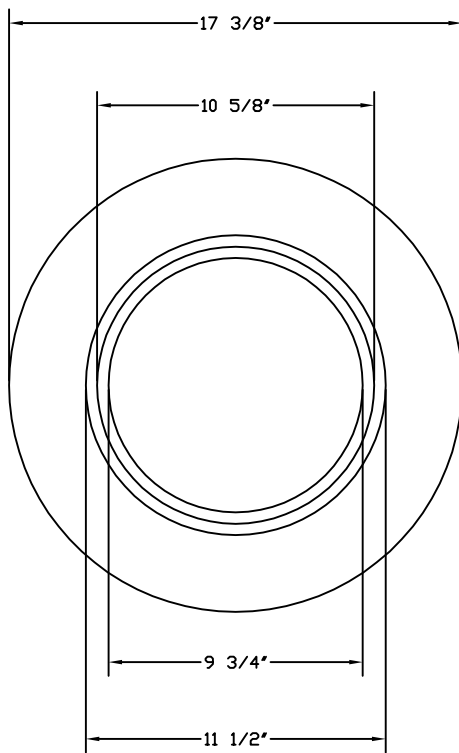
Cast Iron Monument Box & Cover  
To Be Approved By City Engineer

Punched Brass or Aluminum  
Cap Cast in Monument



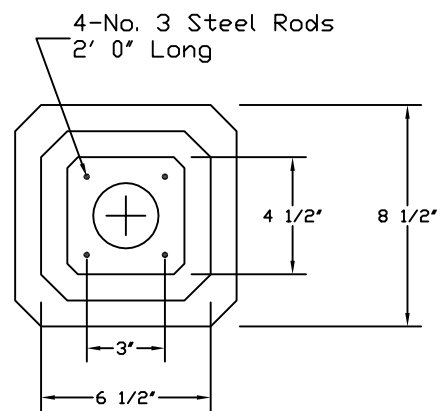
### Precast Conc. Monument

(Profile)



### Cast Iron Box & Cover

(Top View)



### Precast Conc. Monument

(Top View)