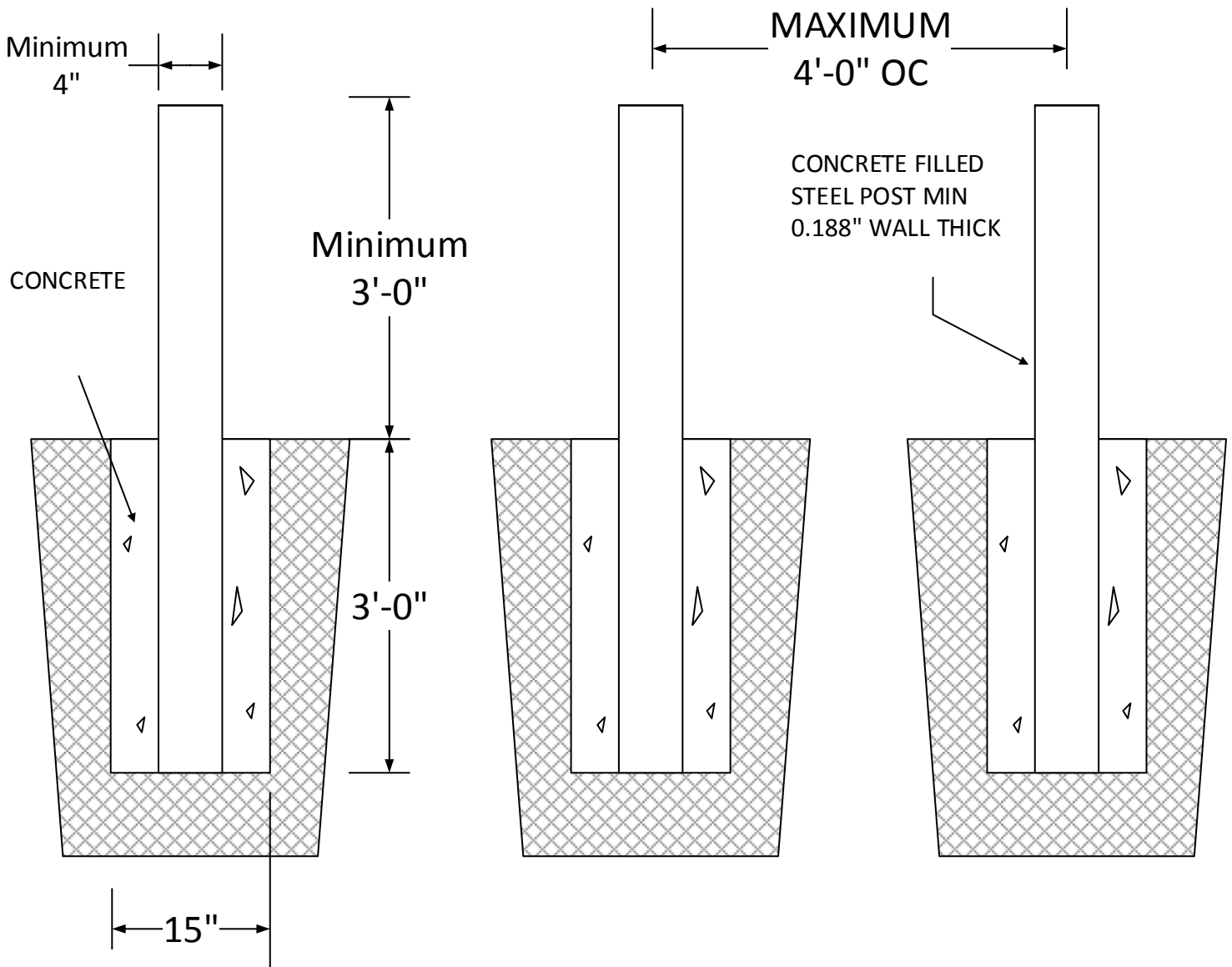


Impact Pipe Bollard Installation Specifications

- Constructed of steel not less than 4" (102 mm) in diameter and concrete filled.
- Spaced not less than 4' (1219 mm) between posts on center.
- Set not less than 3' (914 mm) deep in a concrete footing of not less than a 15" (381 mm) diameter.
- Set with the top of the post not less than 3' (914 mm) above ground.
- Located not less than 3' (914 mm) from the projected object.



City of Waynesboro Fire Department		SIZE 8.5 x 11	FSCM NO	DWG NO Veh.Imp.1	REV
DRAWN Fitzgerald, GG	SCALE 1 : 1		Vehicle Impact Bollards		SHEET 1 OF 1
ISSUED January 24, 2017					