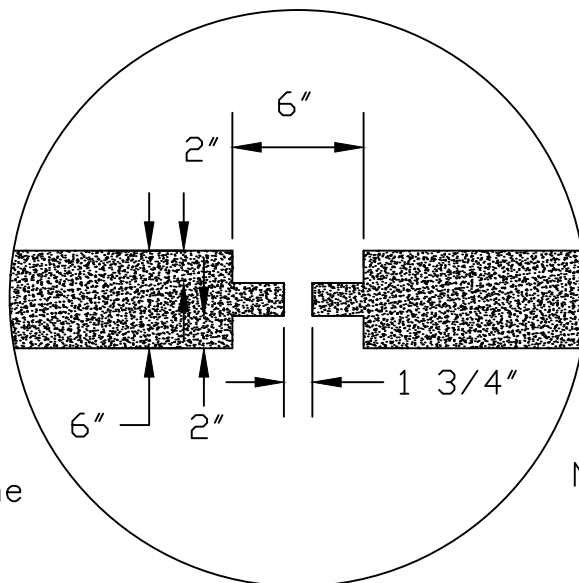


SECTION VIEW

NTS



NTS

NOTE: Provide one recessed area per meter.

INSET